

© TAIT ELECTRONICS A1

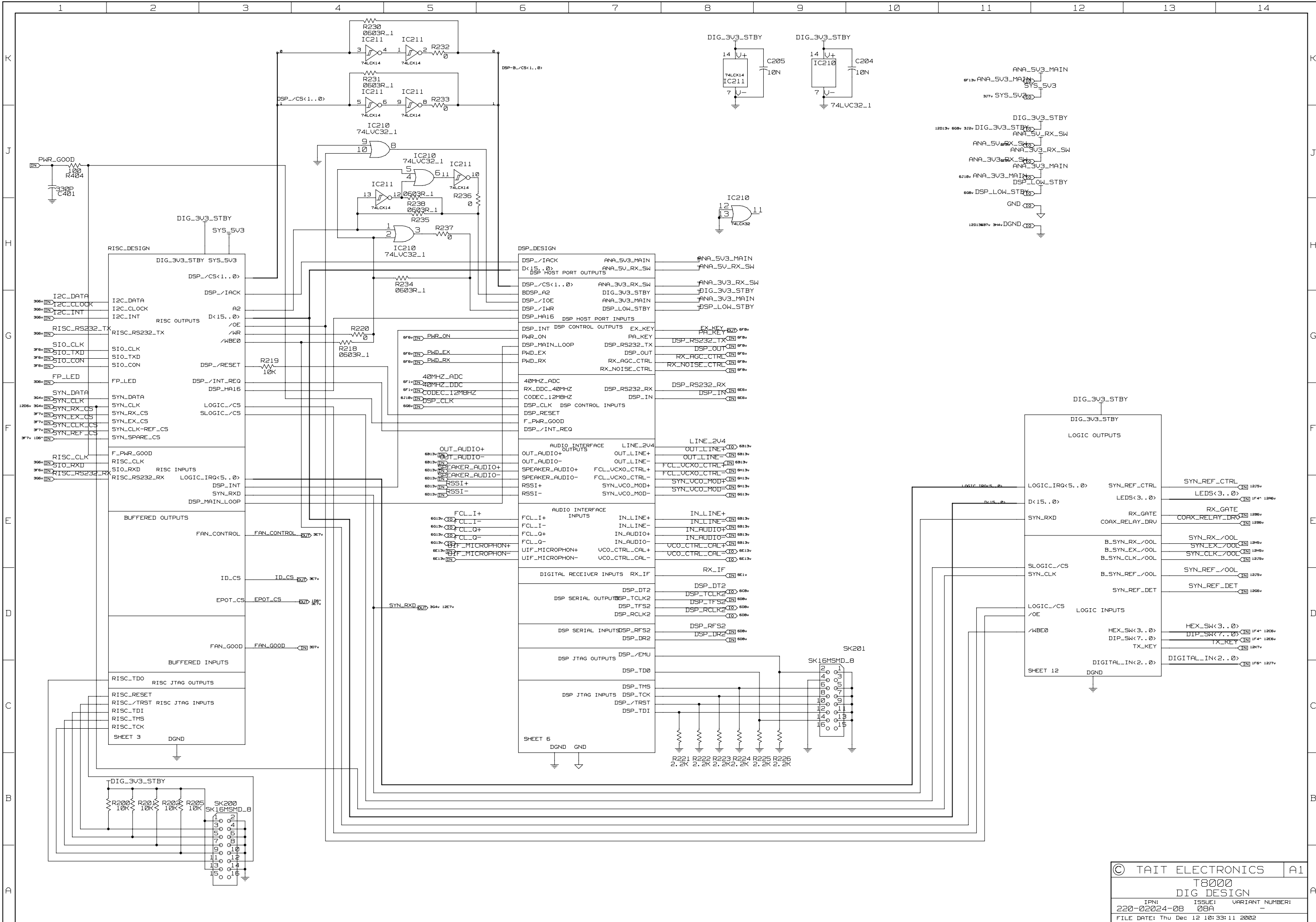
T8000
RECITER CONTROL

IPN: 220-02024-08 ISSUE: 08A VARIANT NUMBER: -

FILE DATE: Thu Dec 12 10:33:10 2002

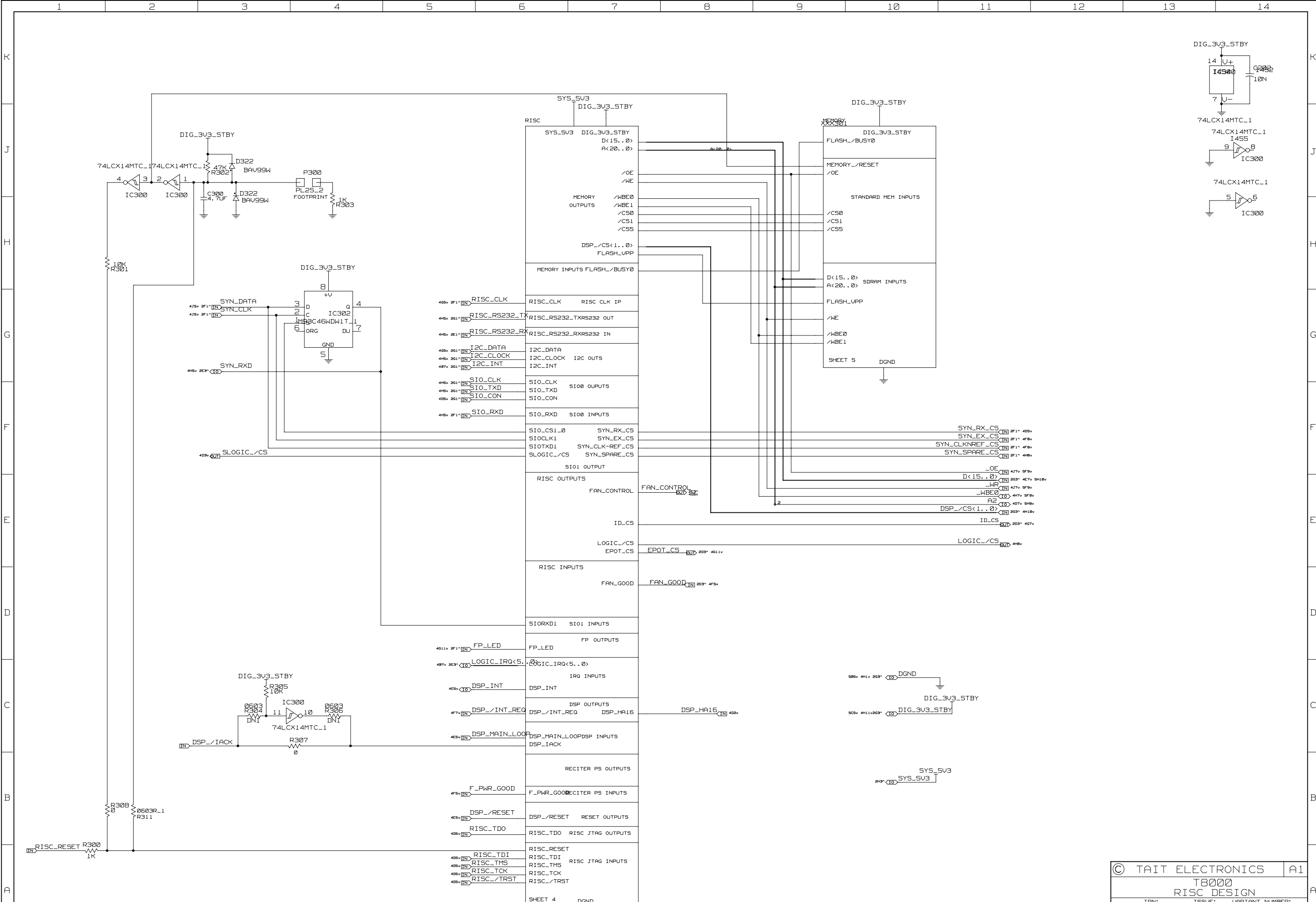
ENGINEER: FILE NAME: SHEET NUMBER:
MN 220_02024 1 OF 18

08A	DCO 02024-016	SA	MN	CK	MN	26/11/02
REV/ISS	AMENDMENTS	DRAWN	CHKD	D.O.	APVD	DATE
1						
2						
3						
4						
5						
6						
7						
8						
9						
10						
11						
12						
13						
14						



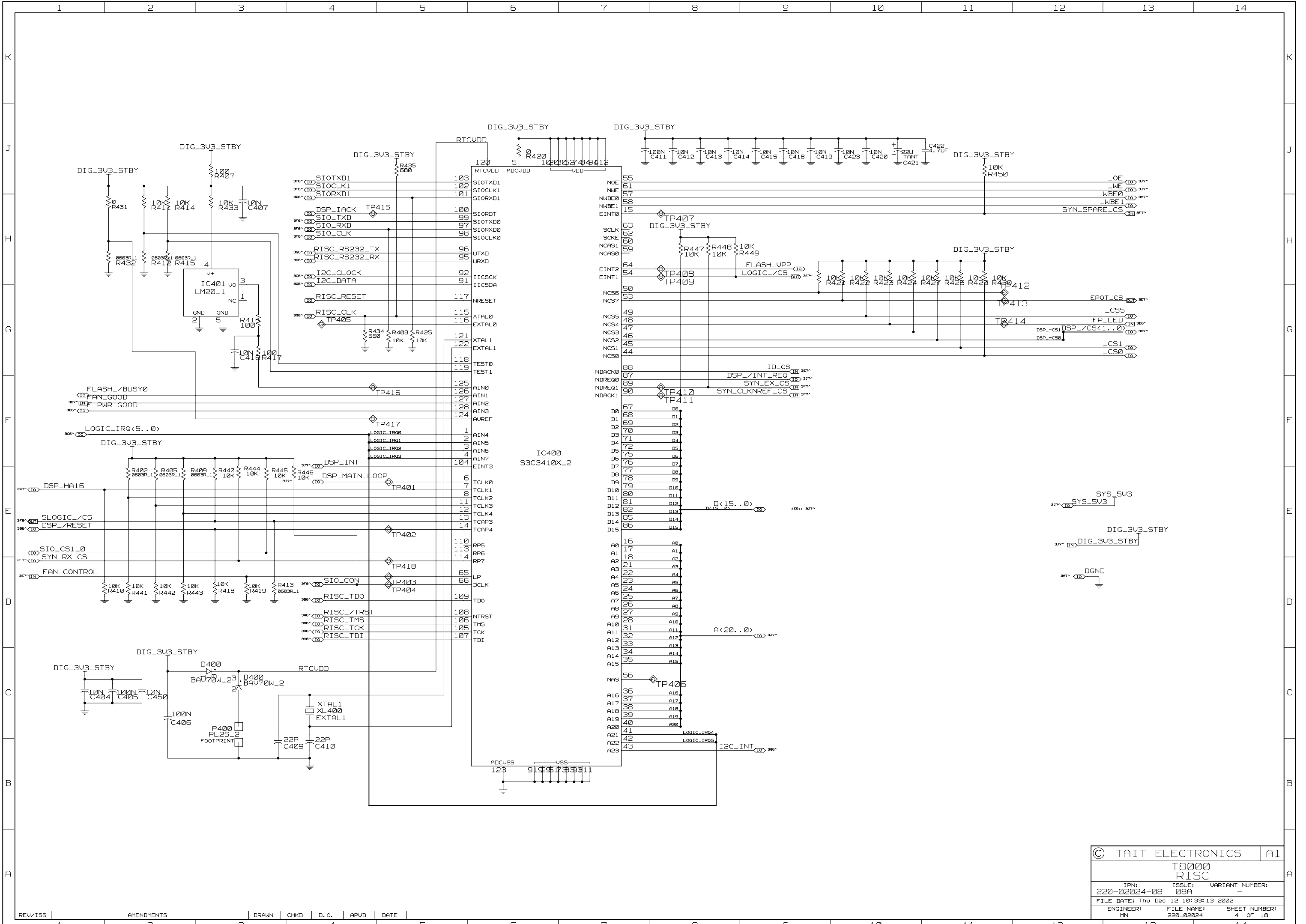
© TAIT ELECTRONICS		A1
T8000 DIG DESIGN		
IPN: 220-02024-08	ISSUE: 08A	VARIANT NUMBER: -
FILE DATE: Thu Dec 12 10:33:11 2002		
ENGINEER: MN	FILE NAME: 220_02024	SHEET NUMBER: 2 OF 18

REV/ISS	AMENDMENTS	DRAWN	CHKD	D.O.	APVD	DATE
1						

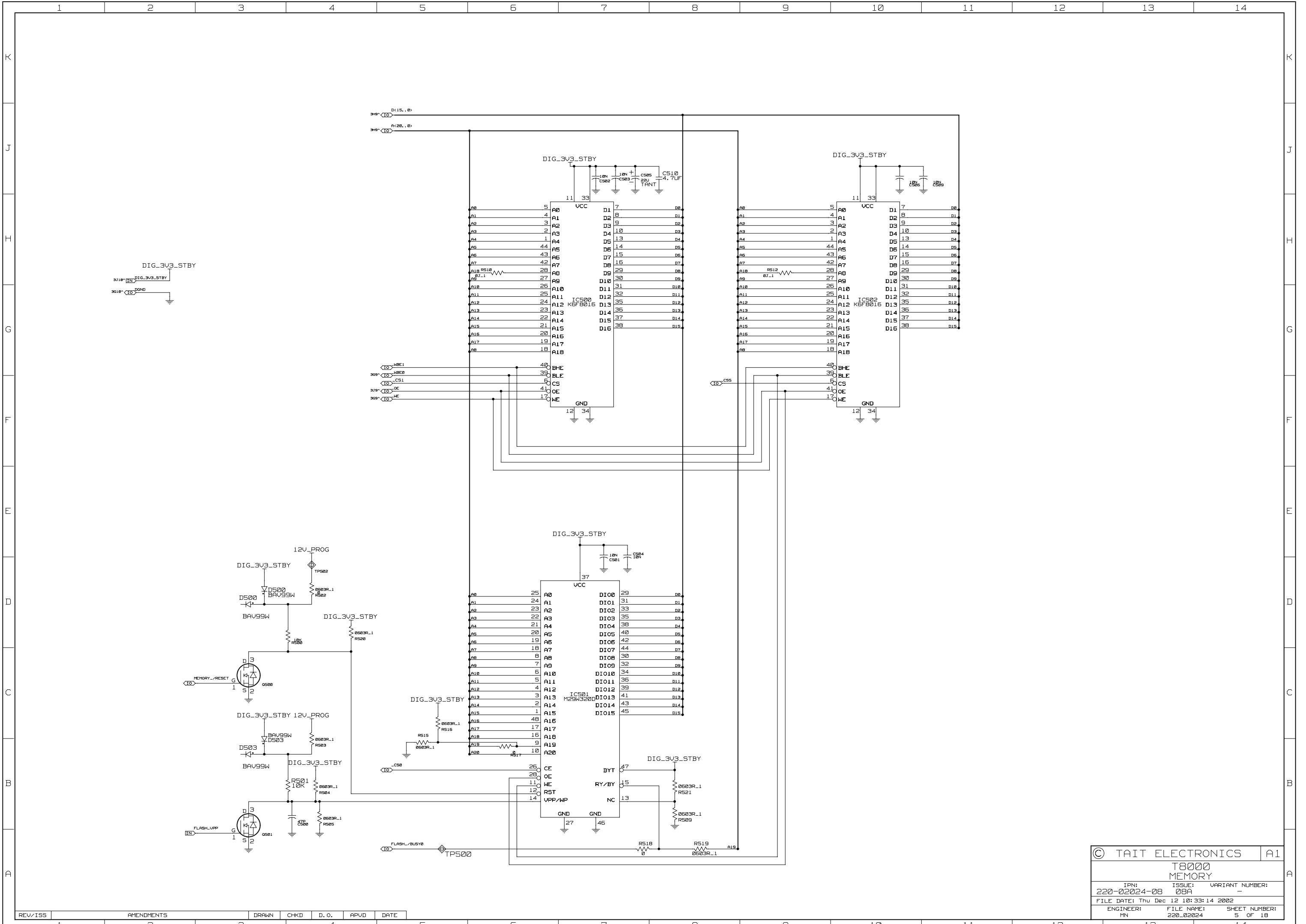


© TAIT ELECTRONICS		A1
T8000 RISC DESIGN		
IPN: 220-02024-08	ISSUE: 08A	VARIANT NUMBER: -
FILE DATE: Thu Dec 12 10:33:12 2002		
ENGINEER: MN	FILE NAME: 220_02024	SHEET NUMBER: 3 OF 18

REV/ISS	AMENDMENTS	DRAWN	CHKD	D.O.	APVD	DATE
1						

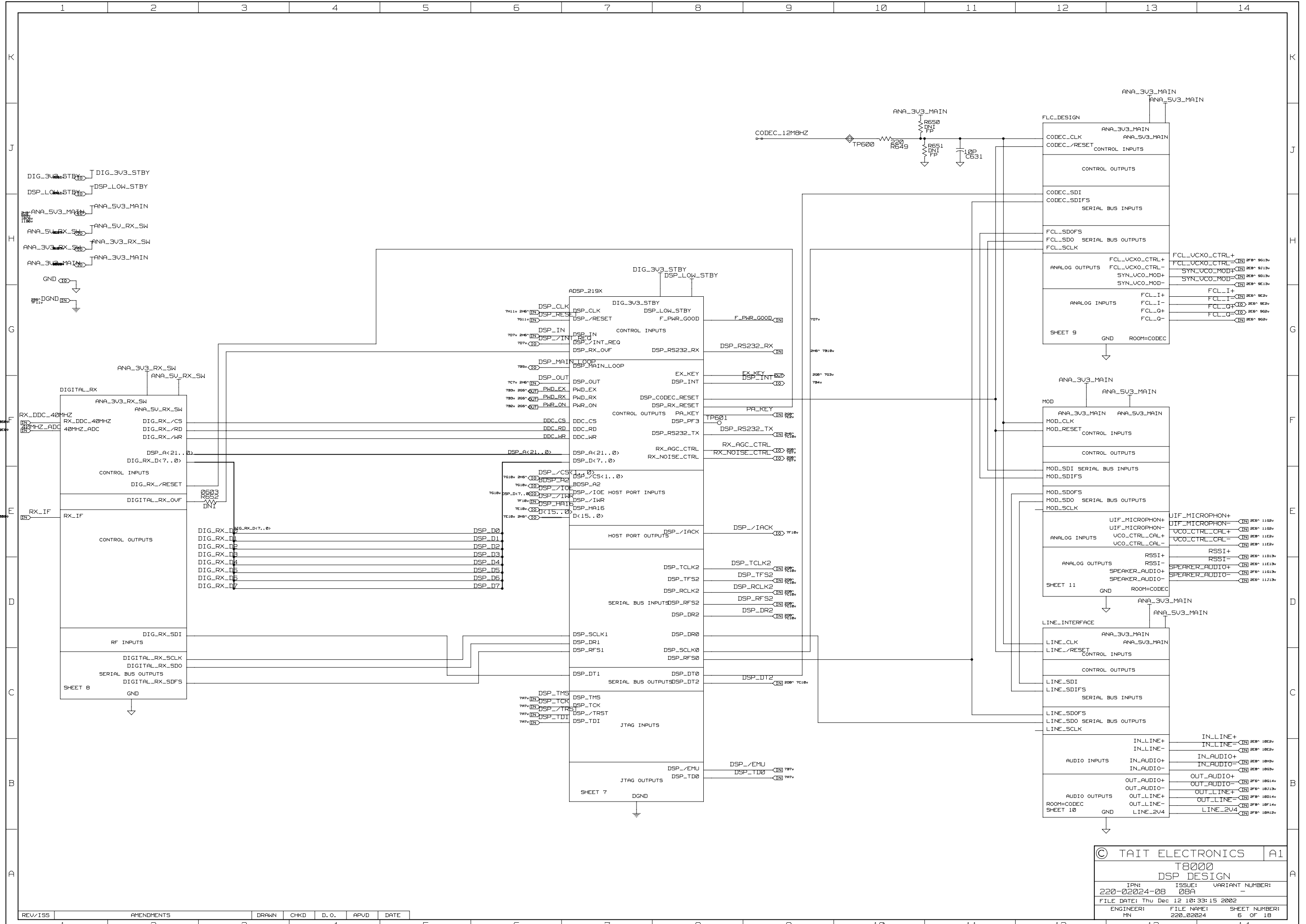


REV/ISS	AMENDMENTS	DRAWN	CHKD	D.O.	APVD	DATE
1						



© TAIT ELECTRONICS		A1
TB000 MEMORY		
IPN: 220-02024-08	ISSUE: 08A	VARIANT NUMBER: -
FILE DATE: Thu Dec 12 10:33:14 2002		
ENGINEER: MN	FILE NAME: 220_02024	SHEET NUMBER: 5 OF 18

REV/ISS	AMENDMENTS	DRAWN	CHKD	D. O.	APVD	DATE
1						



© TAIT ELECTRONICS | A1

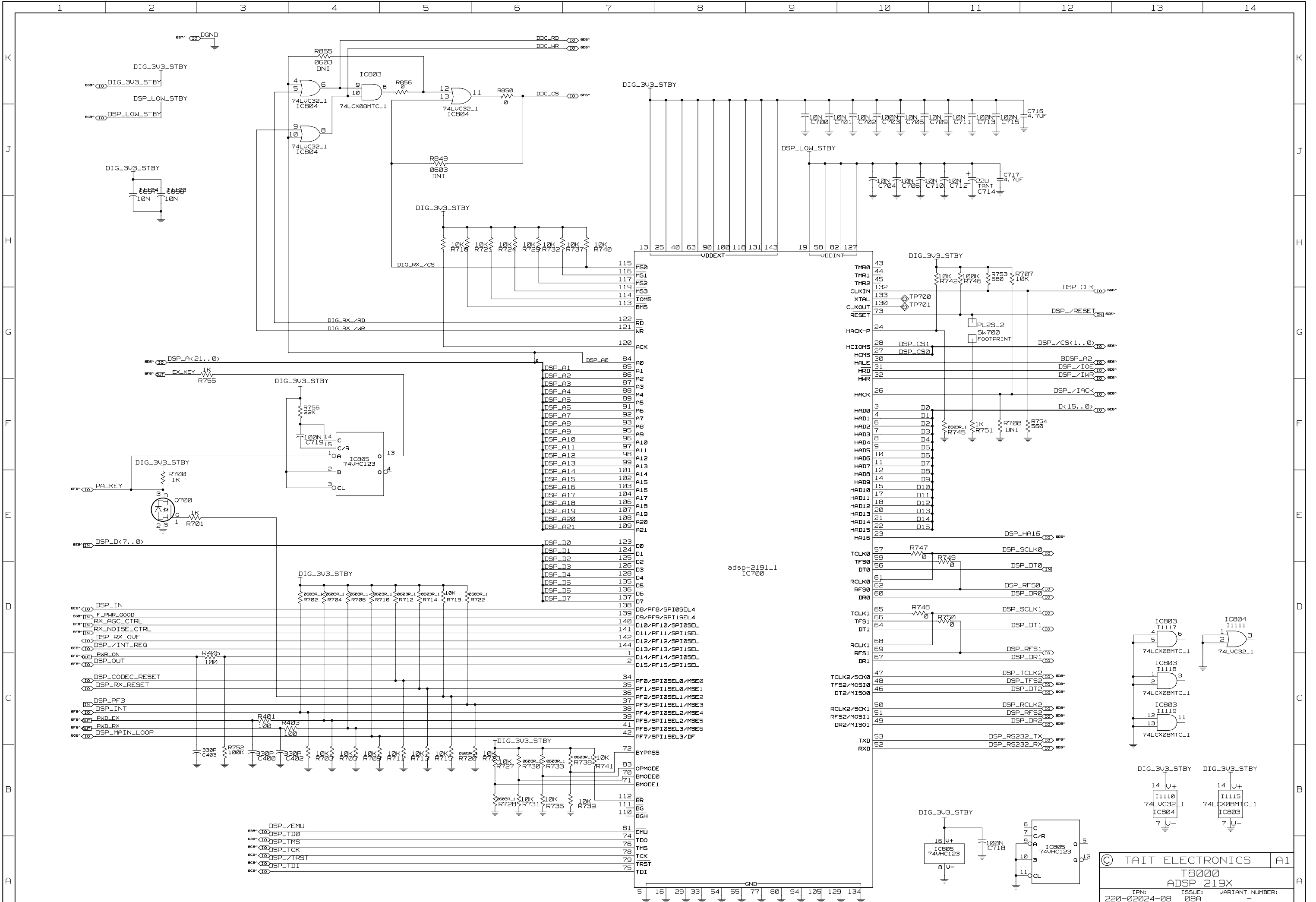
T8000
DSP DESIGN

IPN: 220-02024-08 ISSUE: 08A VARIANT NUMBER: -

FILE DATE: Thu Dec 12 10:33:15 2002

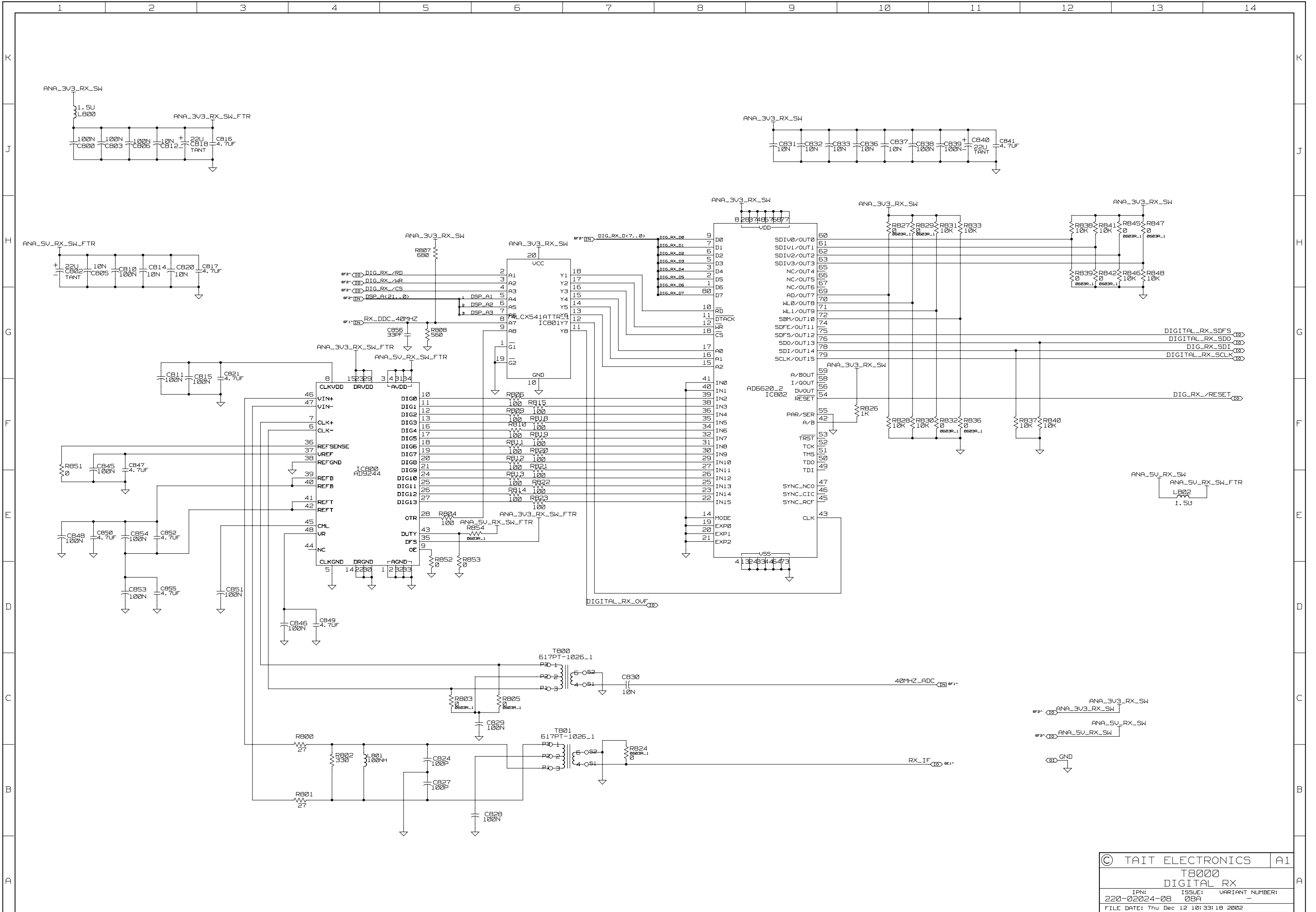
ENGINEER: MN FILE NAME: 220_02024 SHEET NUMBER: 6 OF 18

REV/ISS	AMENDMENTS	DRAWN	CHKD	D. O.	APVD	DATE
1						



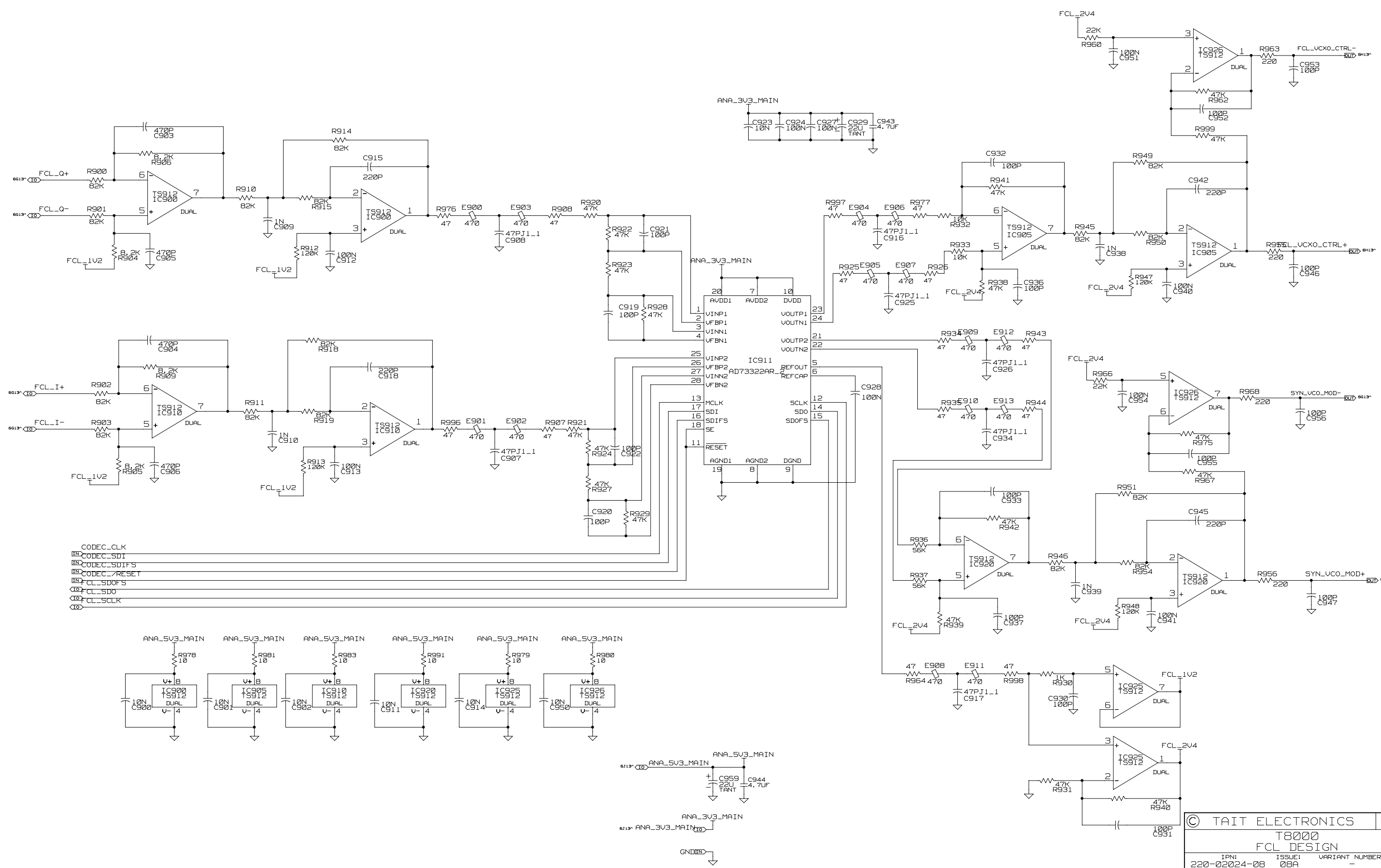
© TAIT ELECTRONICS		A1
T8000 ADSP_219X		
IPN:	ISSUE:	VARIANT NUMBER:
220-02024-08	08A	-
FILE DATE:	Thu Dec 12 10:33:17 2002	
ENGINEER:	FILE NAME:	SHEET NUMBER:
MN	220_02024	7 OF 18

REV/ISS	AMENDMENTS	DRAWN	CHKD	D.O.	APVD	DATE
1						



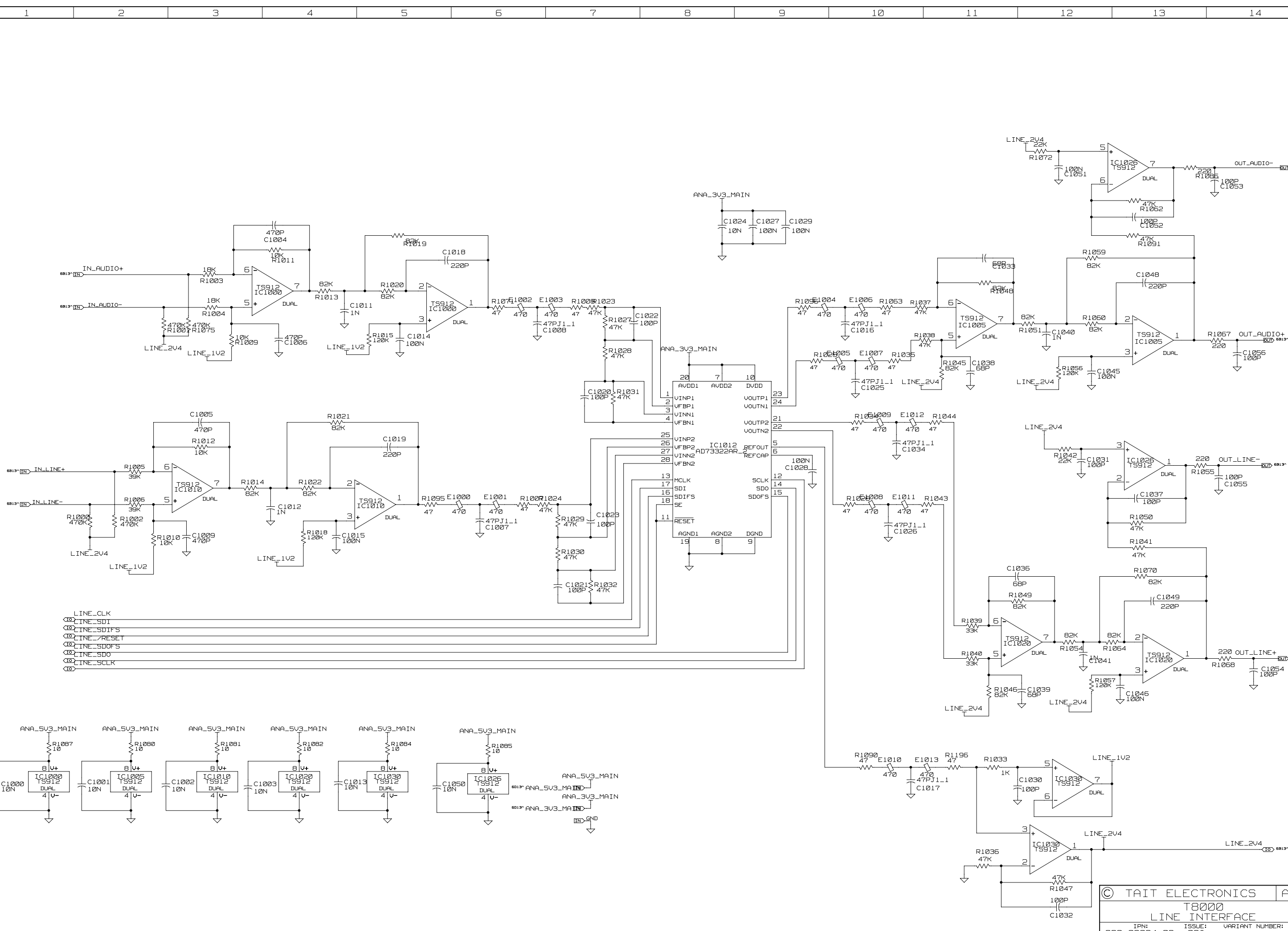
© TAIT ELECTRONICS		A1
T8000 DIGITAL RX		
IPN: 220-02024-08	ISSUE: 08A	VARIANT NUMBER: -
FILE DATE: Thu Dec 12 10:33:18 2002		
ENGINEER: MN	FILE NAME: 220_02024	SHEET NUMBER: 8 OF 18

REV/ISS	AMENDMENTS	DRAWN	CHKD	D.O.	APVD	DATE
1						



© TAIT ELECTRONICS		A1
T8000 FCL DESIGN		
IPN: 220-02024-08	ISSUE: 08A	VARIANT NUMBER: -
FILE DATE: Thu Dec 12 10:33:20 2002		
ENGINEER: MN	FILE NAME: 220_02024	SHEET NUMBER: 9 OF 18

REV/ISS	AMENDMENTS	DRAWN	CHKD	D.O.	APVD	DATE
1						

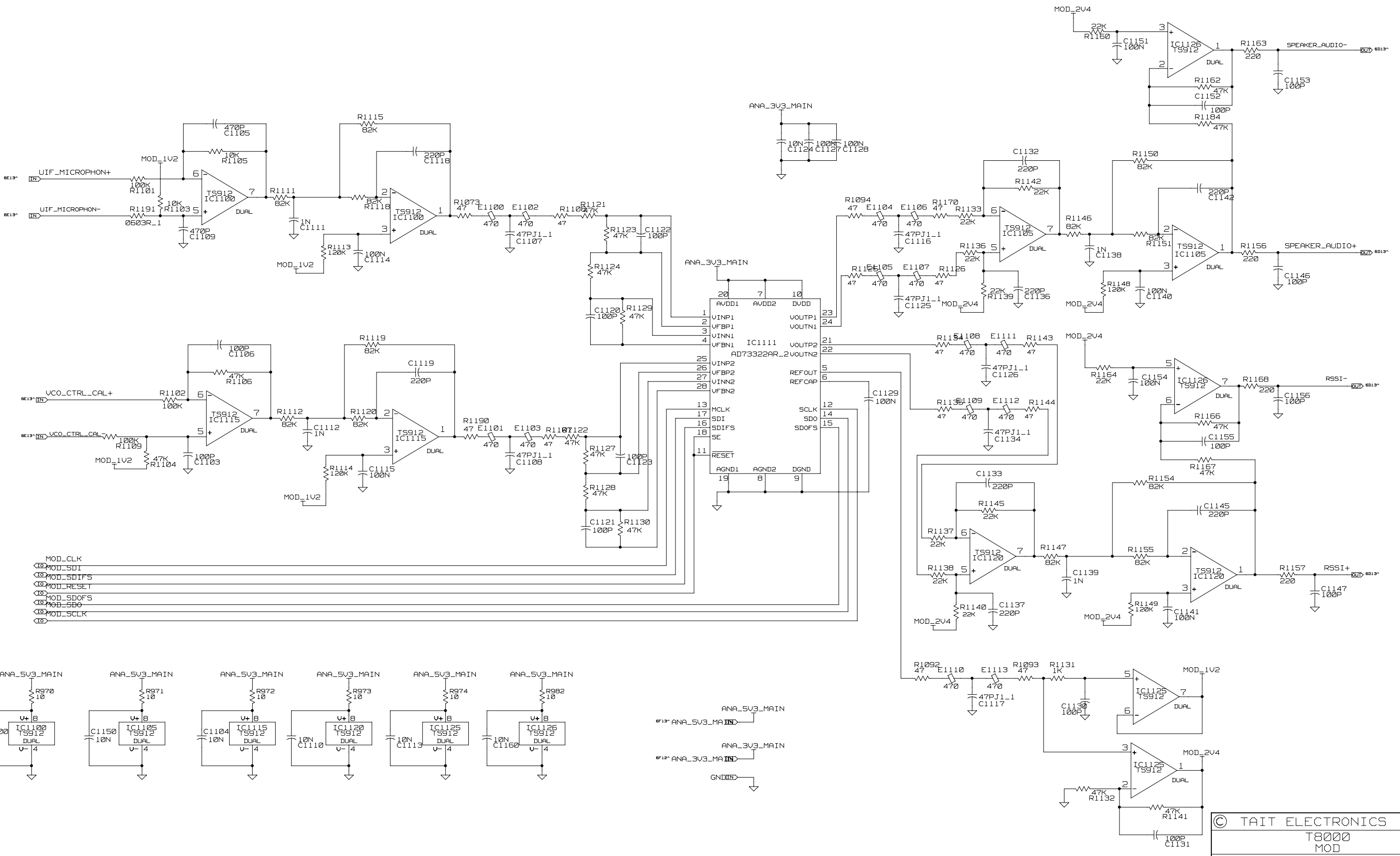


© TAIT ELECTRONICS		A1
T8000 LINE INTERFACE		
IPN: 220-02024-08	ISSUE: 08A	VARIANT NUMBER: -
FILE DATE: Thu Dec 12 10:33:21 2002		
ENGINEER: MN	FILE NAME: 220_02024	SHEET NUMBER: 10 OF 18

REV/ISS	AMENDMENTS	DRAWN	CHKD	D.O.	APVD	DATE
1						

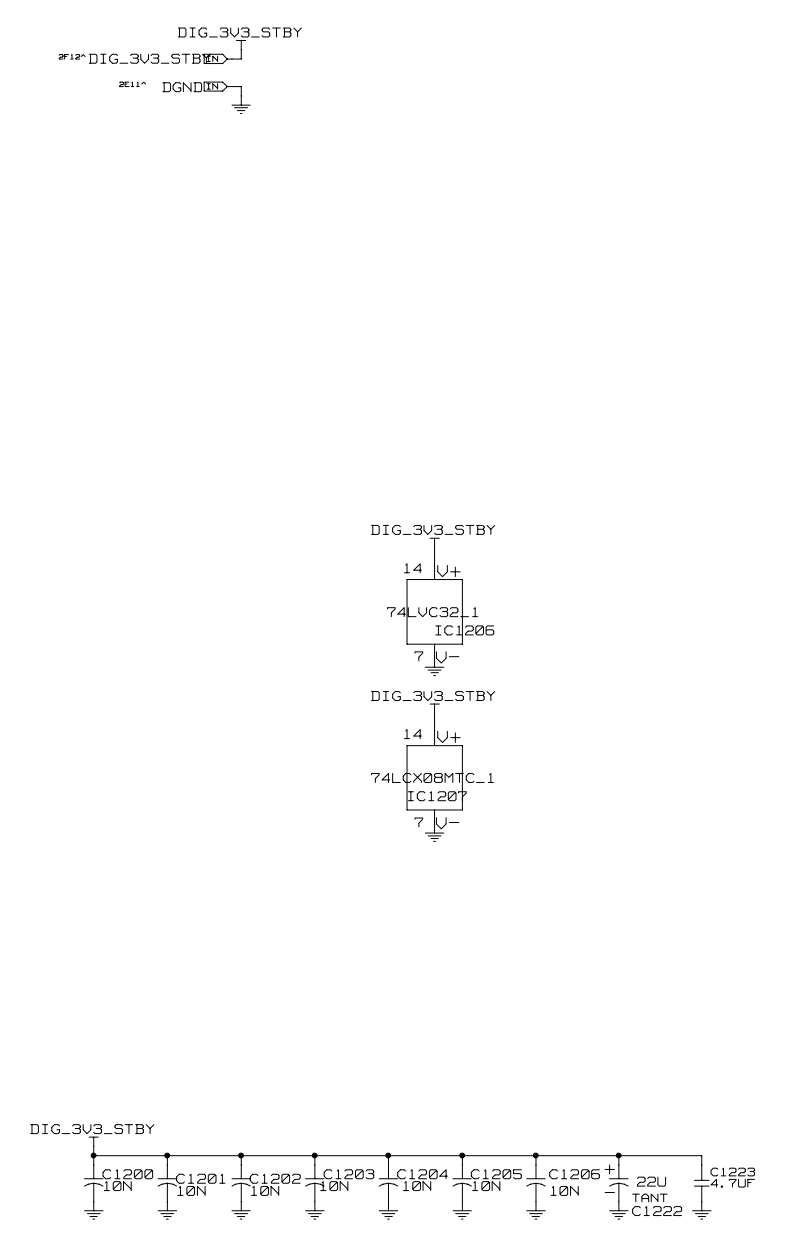
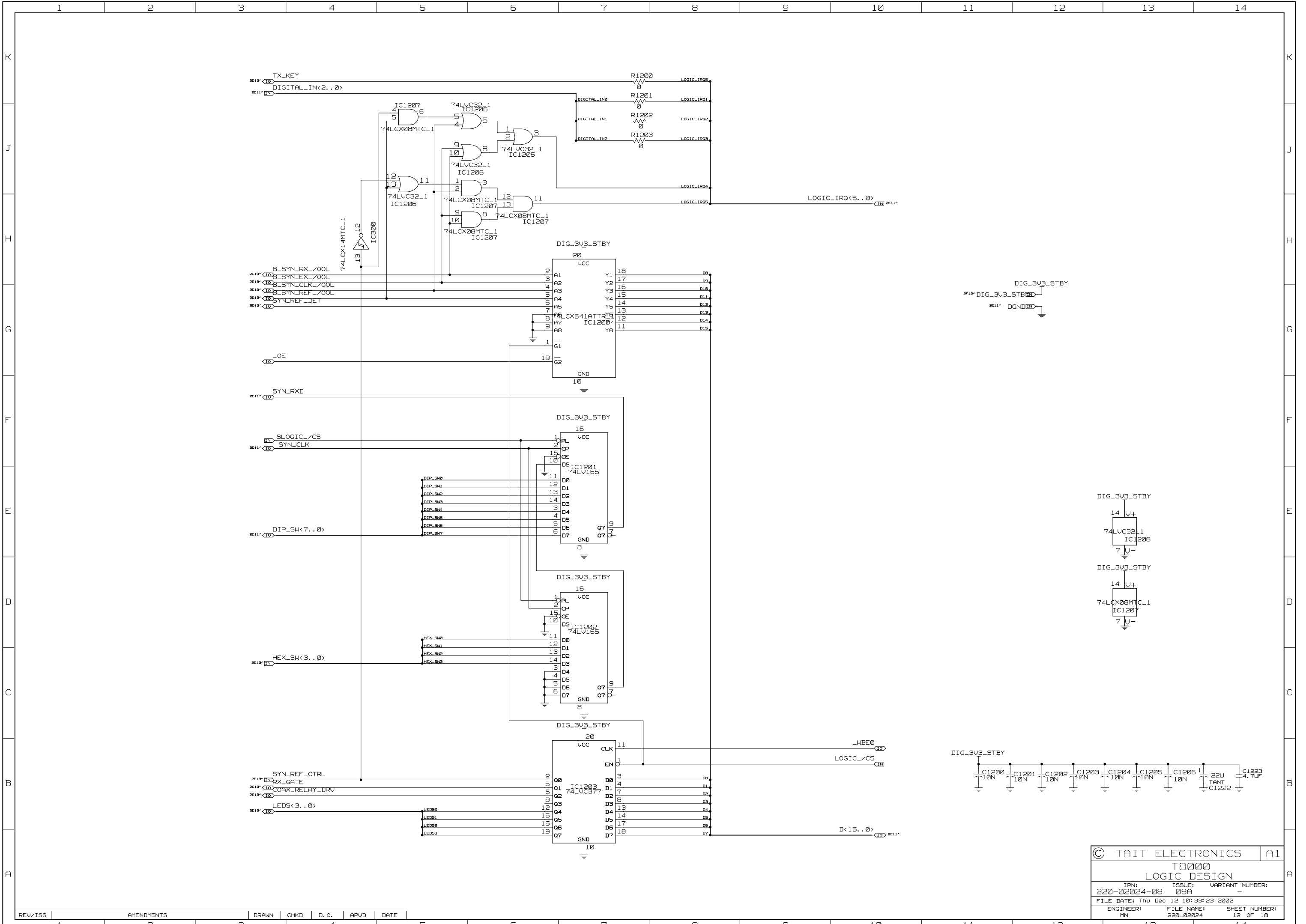
K
J
H
G
F
E
D
C
B
A

K
J
H
G
F
E
D
C
B
A



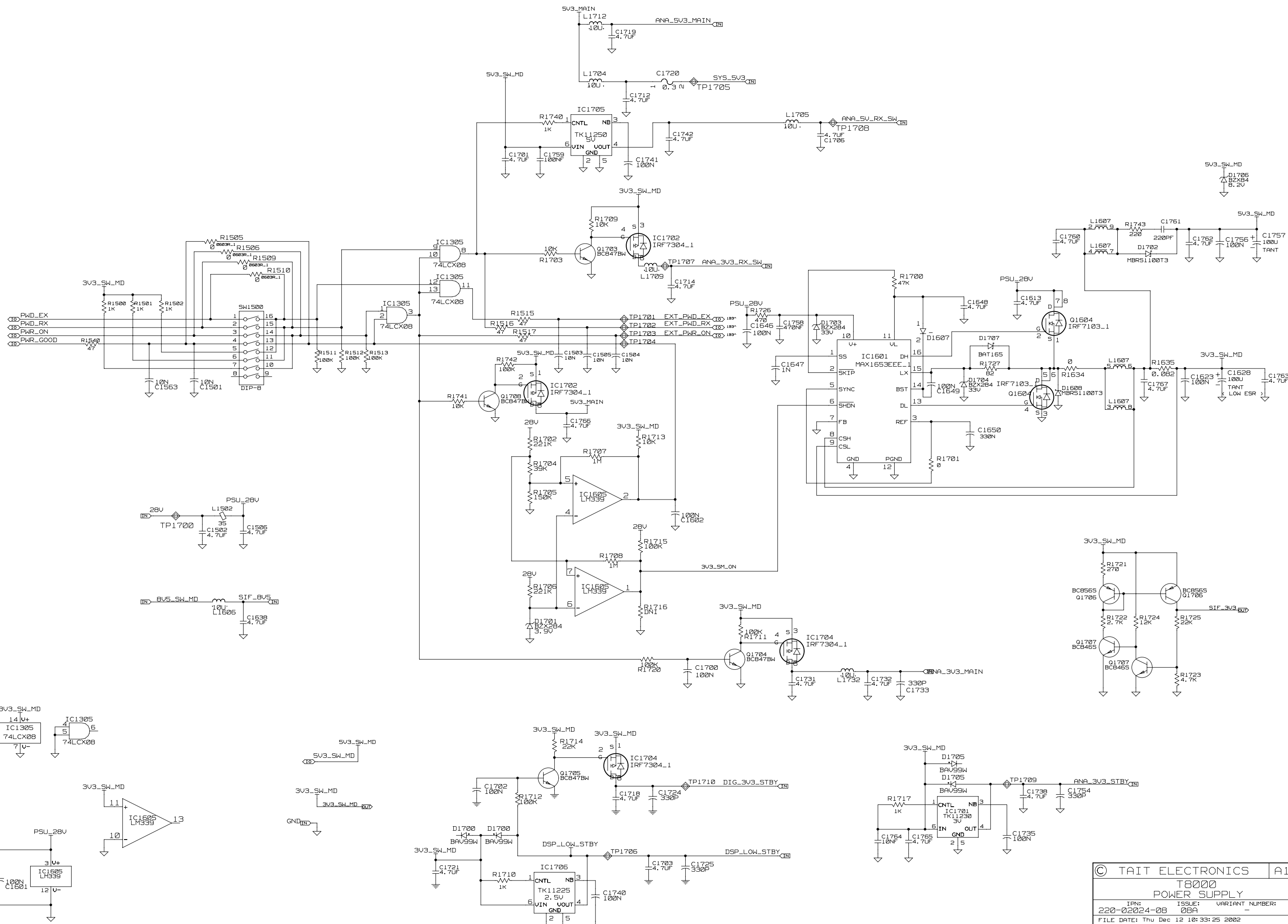
REV/ISS	AMENDMENTS	DRAWN	CHKD	D.O.	APVD	DATE
1						

© TAIT ELECTRONICS		A1
T8000 MOD		
IPN: 220-02024-08	ISSUE: 08A	VARIANT NUMBER: -
FILE DATE: Thu Dec 12 10:33:23 2002		
ENGINEER: MN	FILE NAME: 220_02024	SHEET NUMBER: 11 OF 18



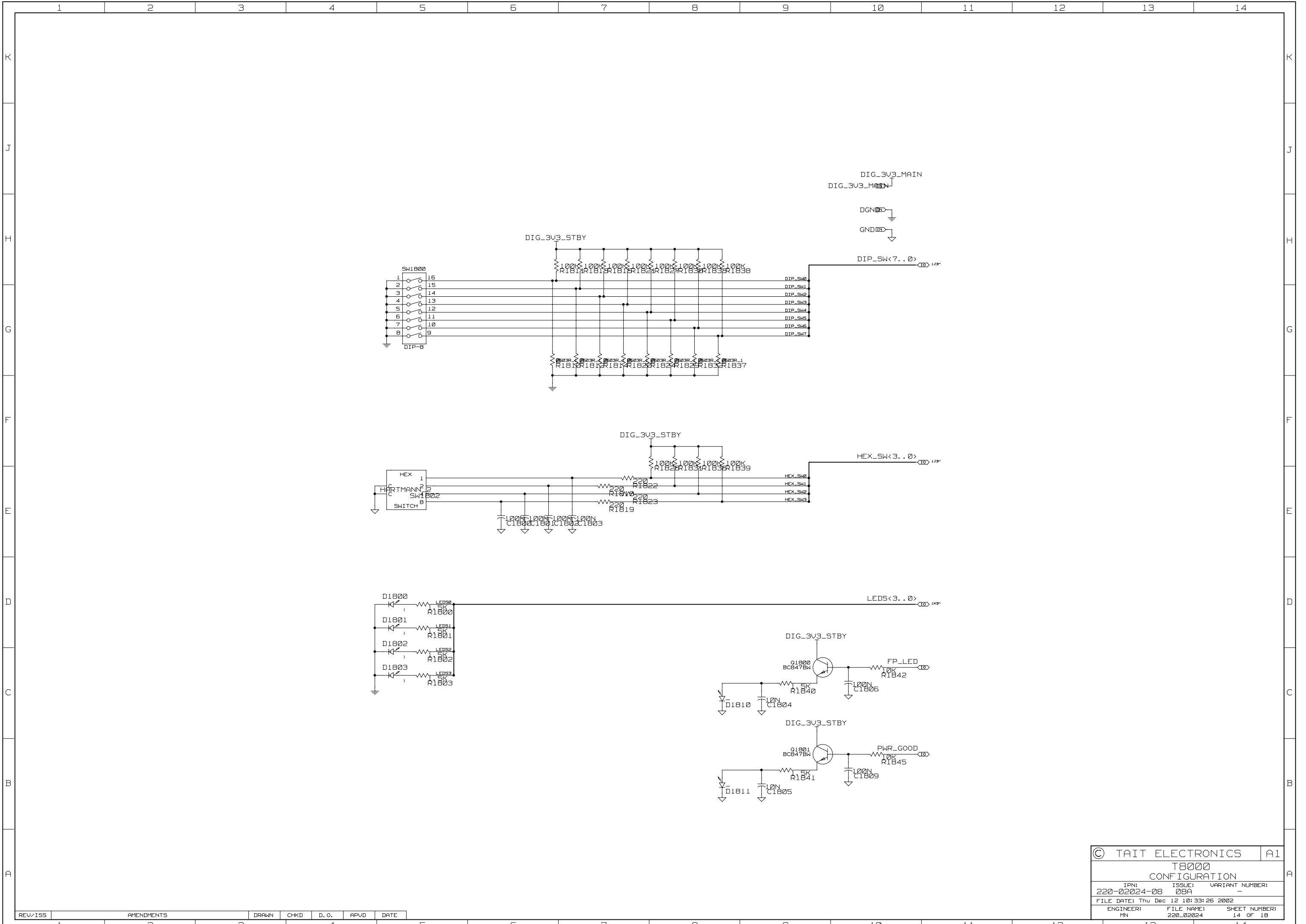
© TAIT ELECTRONICS		A1
T8000 LOGIC DESIGN		
IPN: 220-02024-08	ISSUE: 08A	VARIANT NUMBER: -
FILE DATE: Thu Dec 12 10:33:23 2022		
ENGINEER: MN	FILE NAME: 220_02024	SHEET NUMBER: 12 OF 18

REV/ISS	AMENDMENTS	DRAWN	CHKD	D.O.	APVD	DATE
1						



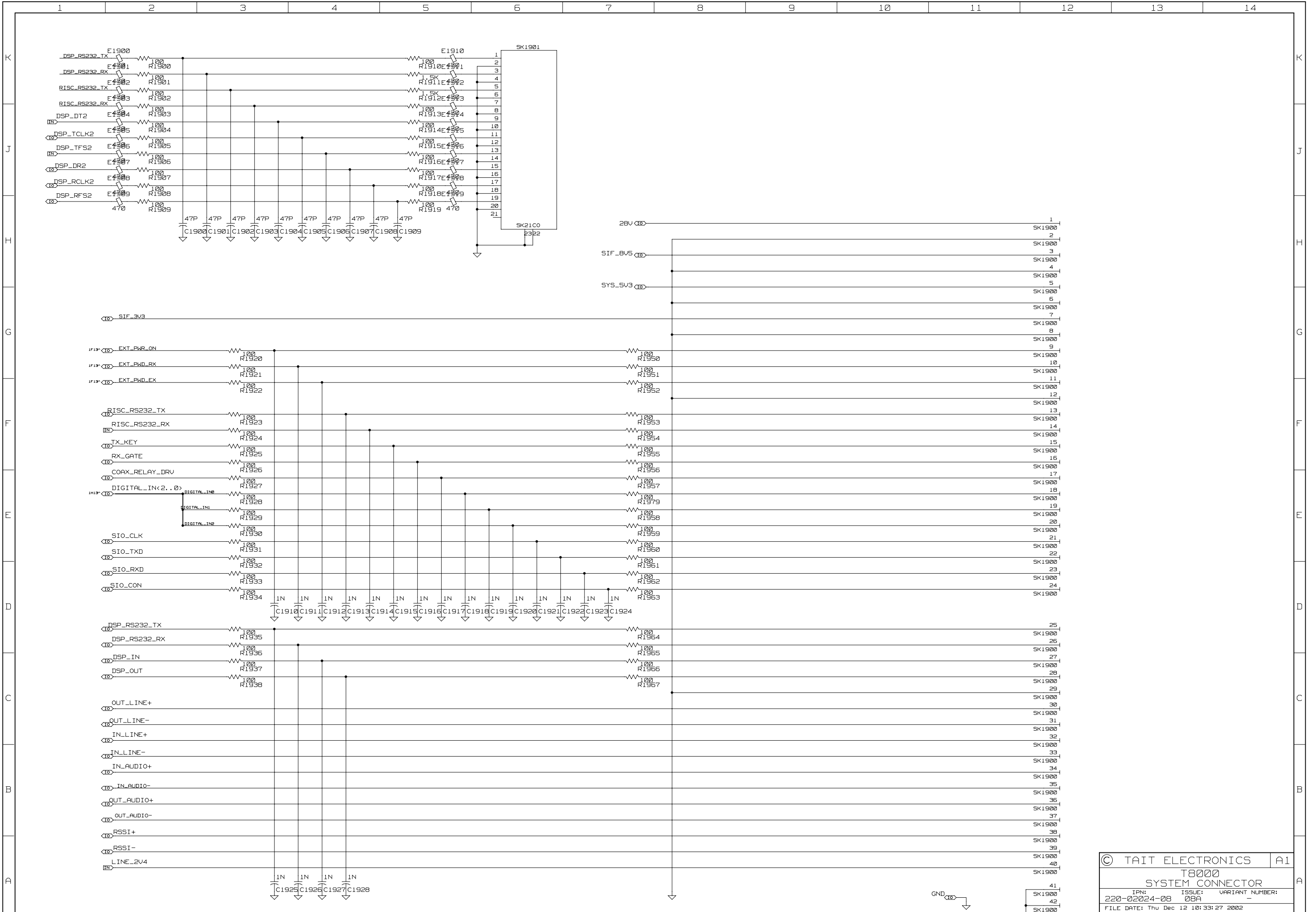
© TAIT ELECTRONICS		A1
T8000		
POWER SUPPLY		
IPN: 220-02024-08	ISSUE: 08A	VARIANT NUMBER: -
FILE DATE: Thu Dec 12 10:33:25 2002		
ENGINEER: MN	FILE NAME: 220_02024	SHEET NUMBER: 13 OF 18

REV/ISS	AMENDMENTS	DRAWN	CHKD	D.O.	APVD	DATE
1						



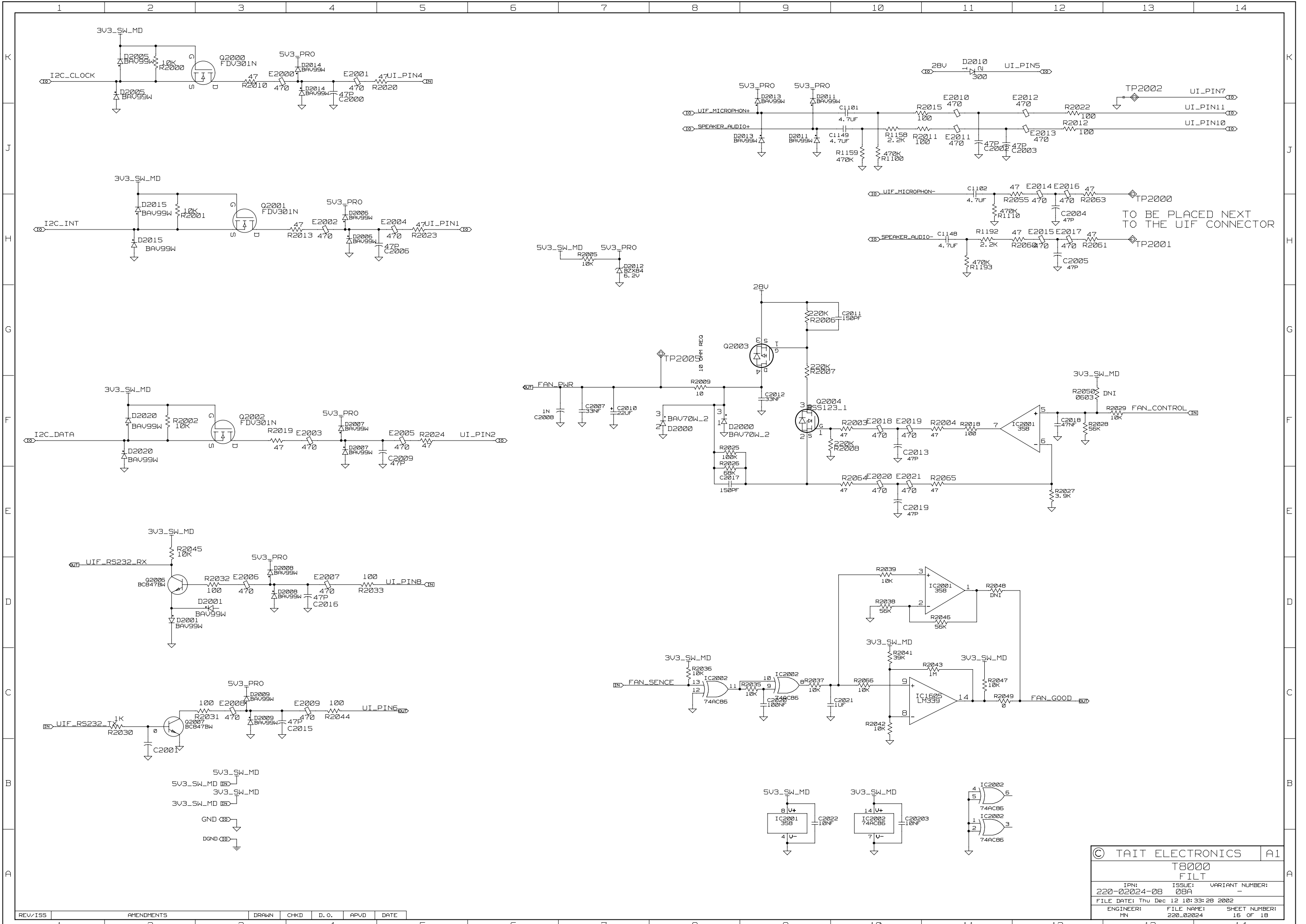
© TAIT ELECTRONICS		A1
T8000 CONFIGURATION		
IPN: 220-02024-08	ISSUE: 08A	VARIANT NUMBER: -
FILE DATE: Thu Dec 12 10:33:26 2002		
ENGINEER: MN	FILE NAME: 220_02024	SHEET NUMBER: 14 OF 18

REV/ISS	AMENDMENTS	DRAWN	CHKD	D.O.	APVD	DATE
1						



© TAIT ELECTRONICS		A1
T8000 SYSTEM CONNECTOR		
IPN: 220-02024-08	ISSUE: 08A	VARIANT NUMBER: -
FILE DATE: Thu Dec 12 10:33:27 2002		
ENGINEER: MN	FILE NAME: 220_02024	SHEET NUMBER: 15 OF 18

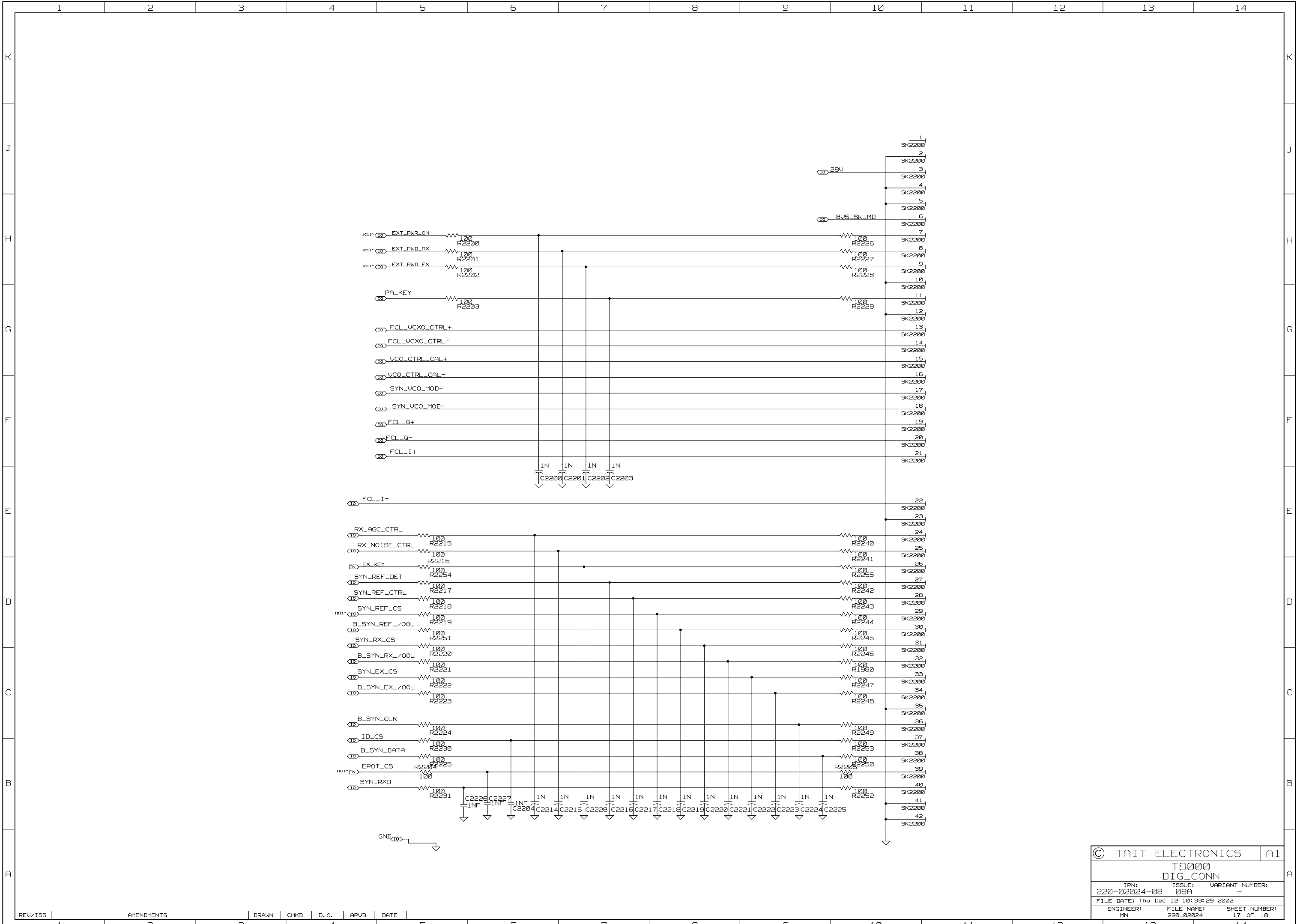
REV/ISS	AMENDMENTS	DRAWN	CHKD	D.O.	APVD	DATE
1						



TO BE PLACED NEXT TO THE UIF CONNECTOR

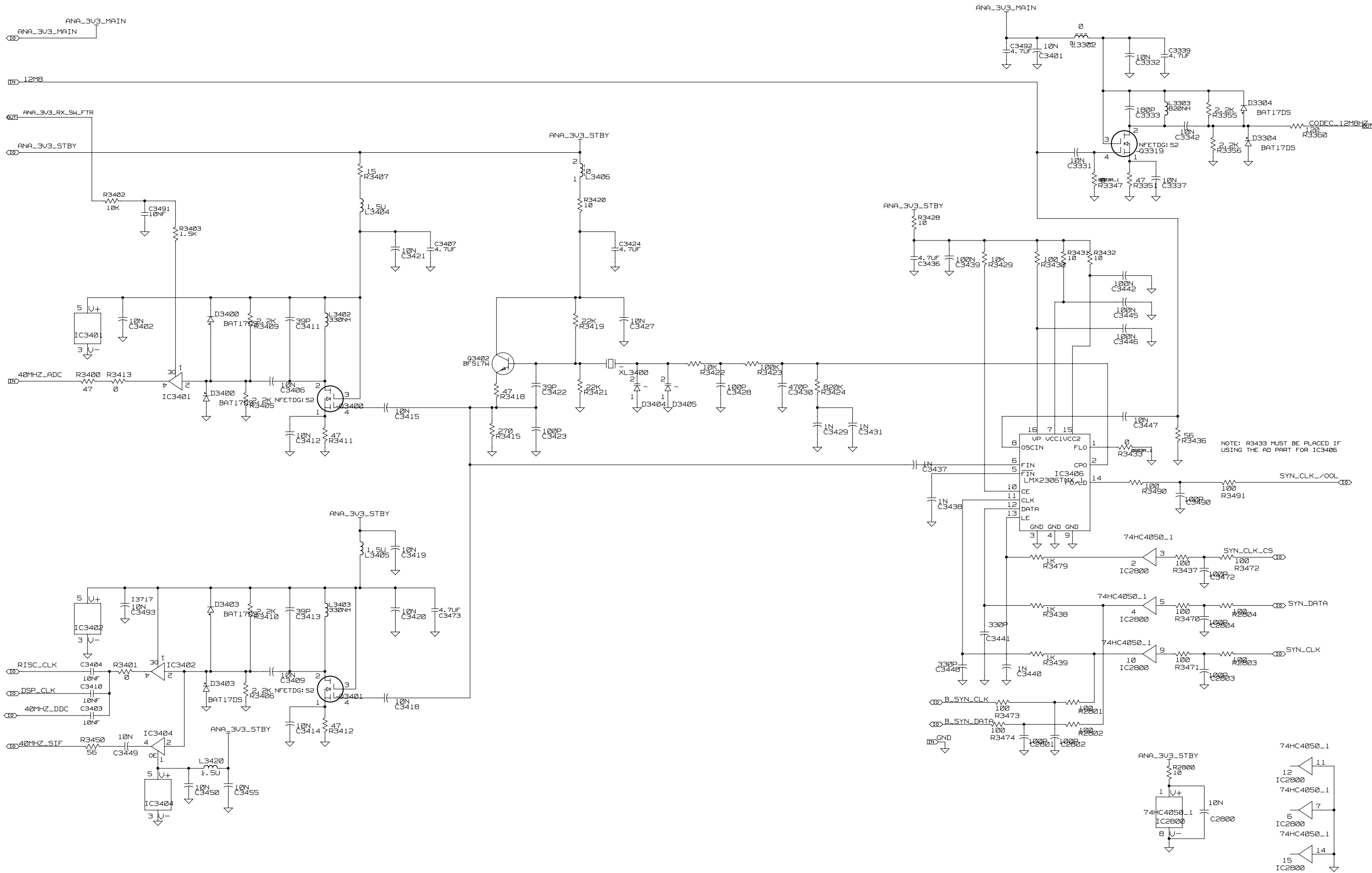
© TAIT ELECTRONICS		A1
T8000 FILT		
IPN: 220-02024-08	ISSUE: 08A	VARIANT NUMBER: -
FILE DATE: Thu Dec 12 10:33:28 2002		
ENGINEER: MN	FILE NAME: 220_02024	SHEET NUMBER: 16 OF 18

REV/ISS	AMENDMENTS	DRAWN	CHKD	D.O.	APVD	DATE
1						



© TAIT ELECTRONICS		A1
T8000 DIG_CONN		
IPN: 220-02024-08	ISSUE: 08A	VARIANT NUMBER: -
FILE DATE: Thu Dec 12 10:33:29 2002		
ENGINEER: MN	FILE NAME: 220_02024	SHEET NUMBER: 17 OF 18

REV/ISS	AMENDMENTS	DRAWN	CHKD	D. O.	APVD	DATE
1						



© TAIT ELECTRONICS		A1
T8000		
ANALOG CLOCK SYNTH		
IPN:	ISSUE:	VARIANT NUMBER:
220-02024-08	08A	-
FILE DATE:	Thu Dec 12 10:33:31 2002	
ENGINEER:	FILE NAME:	SHEET NUMBER:
MN	220_02024	18 OF 18

REV/ISS	AMENDMENTS	DRAWN	CHKD	D.O.	APVD	DATE
1						

